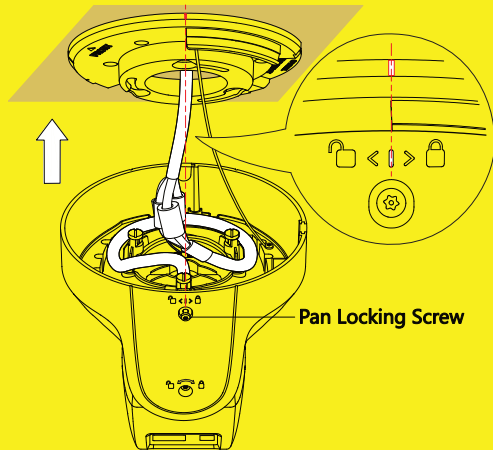
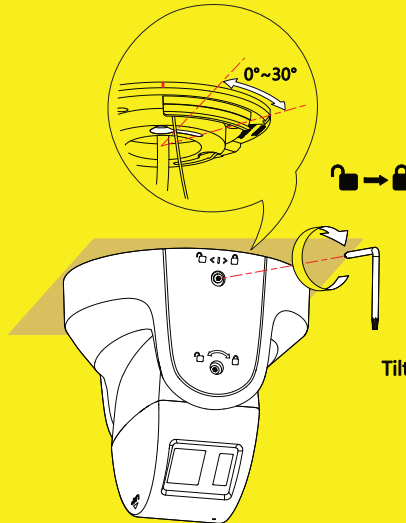


Installation Notes

- 1** Before installation, loosen one Pan locking screw. During installation, align the marks, and organize the cable as shown below.
Note: Keep connecting ports of the cable away from the locking screw area.



- 2** Rotate the camera horizontally from 0° to 30° as shown below until it is adjusted to the best viewing angle, then tighten the locking screw.



- 3** Loosen the Tilt locking screw, and rotate the camera vertically from -75° to 75° as shown below until it is adjusted to the best viewing angle, then tighten the locking screw.

